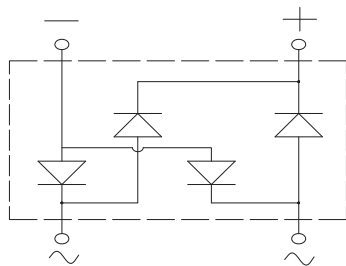
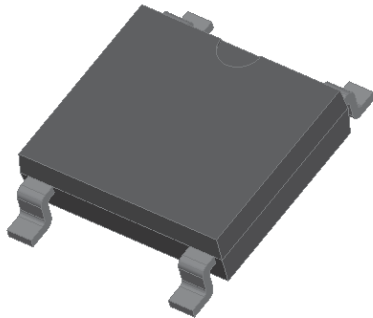


**ABS2 THRU ABS10**

**RoHS**  
COMPLIANT

**Bridge Rectifiers**



**Features**

- UL recognition, file #E313149
- Ideal for automated placement
- High surge current capability
- Meets MSL level 1, per J-STD-020, LF maximum peak of 260 °C

**Typical Applications**

General purpose use in AC/DC bridge full wave rectification for SMPS, lighting ballast, adapter, battery charger, home appliances, office equipment, and telecommunication applications.

**Mechanical Data**

- **Package:** ABS  
Molding compound meets UL 94 V-0 flammability rating, RoHS-compliant, Halogen free
- **Terminals:** Tin plated leads, solderable per J-STD-002 and JESD22-B102
- **Polarity:** As marked on body

**Maximum Ratings (Ta=25°C Unless otherwise specified)**

PARAMETER	SYMBOL	UNIT	ABS2	ABS4	ABS6	ABS8	ABS10
Device marking code			ABS2	ABS4	ABS6	ABS8	ABS10
Repetitive peak reverse voltage	VRRM	V	200	400	600	800	1000
Average rectified output current @60Hz sine wave, R-load, Ta=40°C, on Alumina Substrate	IO	A	1.0				
Surge(non-repetitive)forward current @60Hz half sine wave, 1 cycle, Tj=25°C	IFSM	A	35				
Current squared time @1ms≤t<8.3ms Tj=25°C, Rating of per diode	I²t	A²s	5				
Storage temperature	Tstg	°C	-55 ~+150				
Junction temperature	Tj	°C	-55 ~+150				

**Electrical Characteristics (Ta=25°C Unless otherwise specified)**

PARAMETER	SYMBOL	UNIT	TEST CONDITIONS	ABS2	ABS4	ABS6	ABS8	ABS10
Maximum instantaneous forward voltage drop per diode	VF	V	IFM=0.5A	0.95				
Maximum DC reverse current at rated DC blocking voltage per diode	IRRM	µA	VRM=VRRM	5				

# ABS2 THRU ABS10

## ■ Thermal Characteristics (T<sub>a</sub>=25°C Unless otherwise specified)

PARAMETER		SYMBOL	UNIT	ABS2	ABS4	ABS6	ABS8	ABS10
Thermal Resistance	Between junction and ambient, On alumina substrate	R <sub>θJ-A</sub>	°C/W	62.5				
	Between junction and lead	R <sub>θJ-L</sub>		25.0				

## ■ Ordering Information (Example)

PREFERRED P/N	PACKING CODE	UNIT WEIGHT(g)	MINIMUM PACKAGE(pcs)	INNER BOX QUANTITY(pcs)	OUTER CARTON QUANTITY(pcs)	DELIVERY MODE
ABS2-ABS10	F1	Approximate 0.095	4000	8000	64000	13" reel
ABS2-ABS10	F5	Approximate 0.095	5000	10000	80000	13" reel

## ■ Characteristics (Typical)

FIG1: I<sub>o</sub>-T<sub>a</sub> Curve

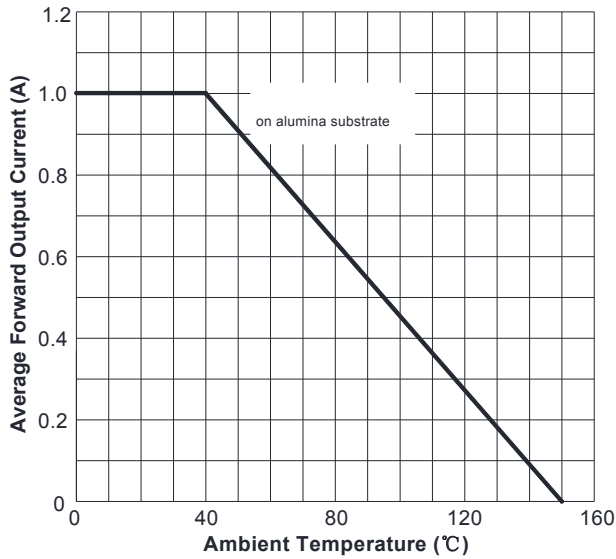


FIG2: Surge Forward Current Capability

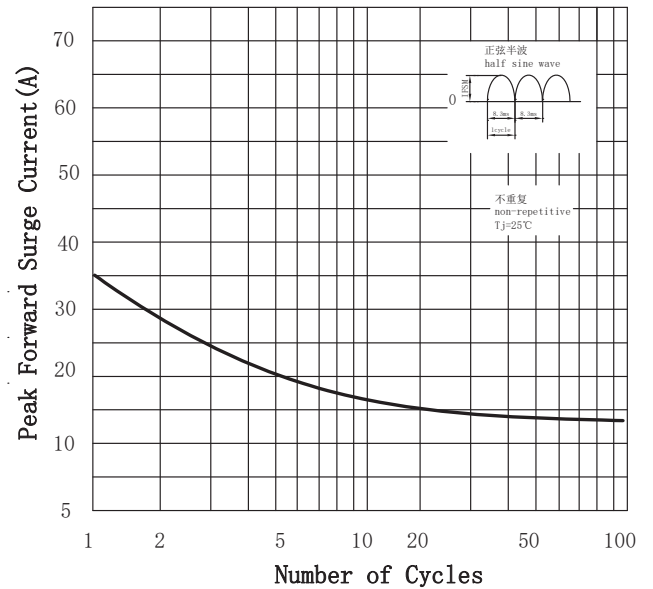


FIG3: Forward Voltage

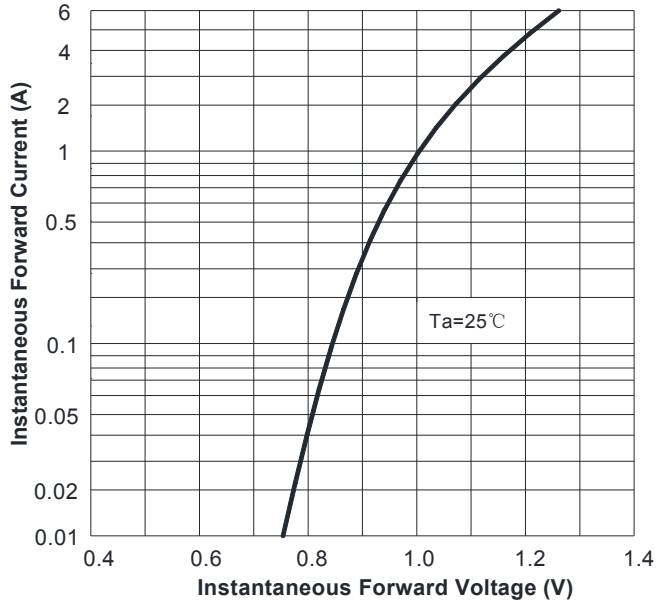
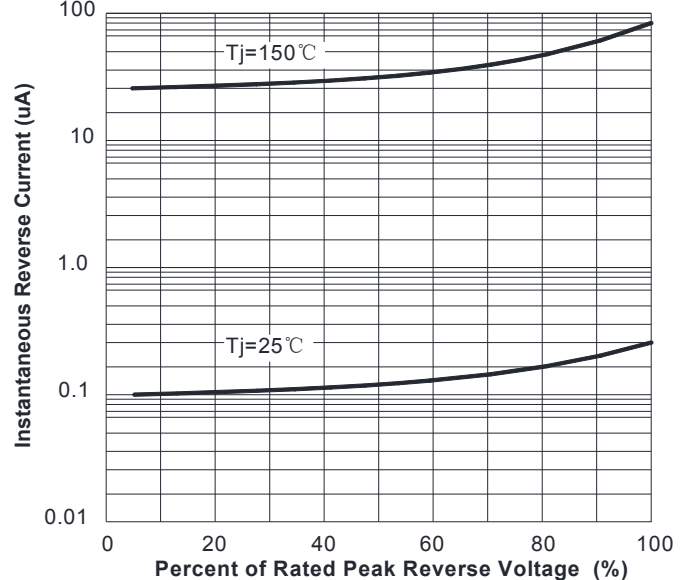
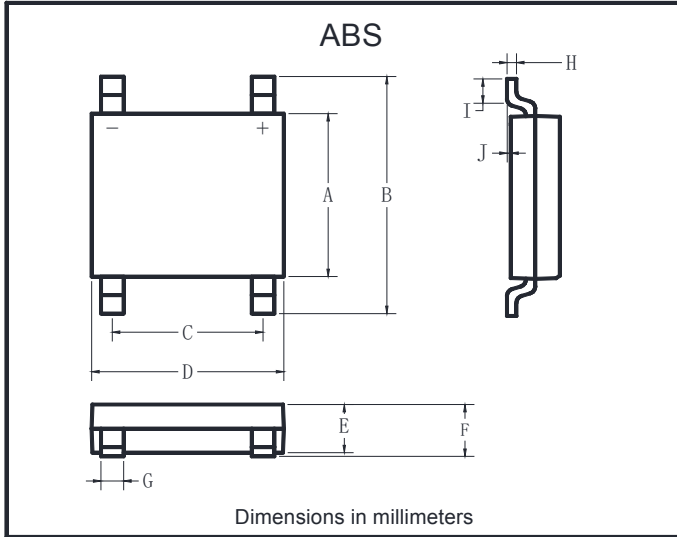


FIG4: Typical Reverse Characteristics



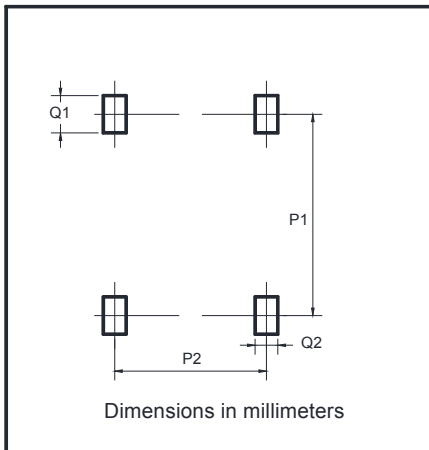
# ABS2 THRU ABS10

## ■ Outline Dimensions



ABS		
Dim	Min	Max
A	4.30	4.50
B	6.00	6.40
C	3.90	4.10
D	4.90	5.10
E	1.25	1.45
F	1.60 Max	
G	0.60	0.70
H	0.15	0.25
I	0.30	0.80
J	0.02	0.15

## ■ Suggested pad layout



Dim	Min
P1	5.72
P2	4.00
Q1	1.00
Q2	0.90

## Disclaimer

The information presented in this document is for reference only. Ningbo KLS Electronic Co., Ltd. reserves the right to make changes without notice for the specification of the products displayed herein to improve reliability, function or design or otherwise.

The product listed herein is designed to be used with ordinary electronic equipment or devices, and not designed to be used with equipment or devices which require high level of reliability and the malfunction of which would directly endanger human life (such as medical instruments, transportation equipment, aerospace machinery, nuclear-reactor controllers, fuel controllers and other safety devices), KLS or anyone on its behalf, assumes no responsibility or liability for any damages resulting from such improper use of sale.

This publication supersedes & replaces all information previously supplied. For additional information, please visit our website <http://www.klsele.com>, or consult your nearest KLS's sales office for further assistance.